

Oil Treatment System Product Profile



OTS Protects Oil Investment

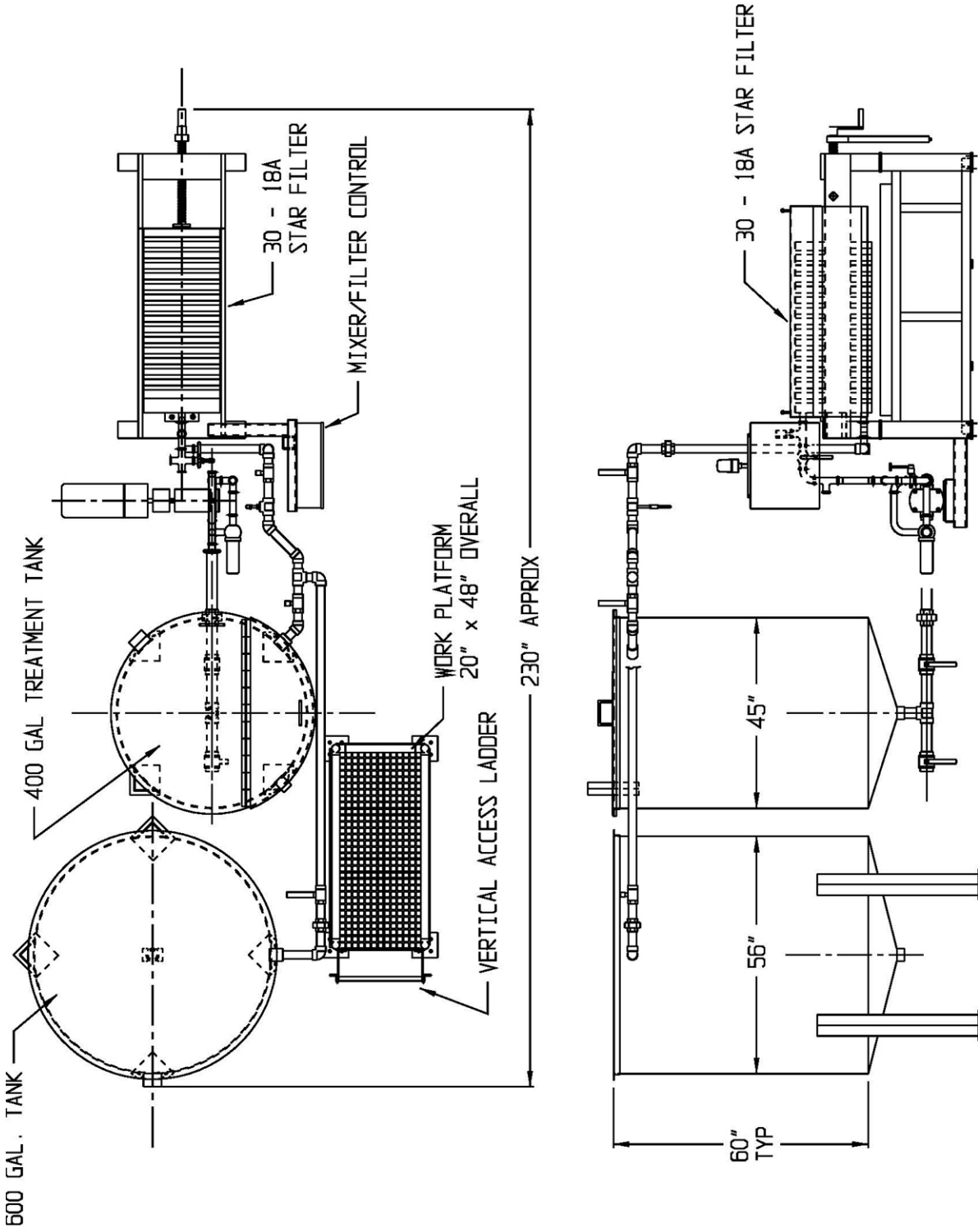
Star Filters Division of The Hilliard Corporation has developed a hot oil treatment system that greatly reduces oil replacement and disposal costs. The OTS oil treatment filtration system actually improves the condition of the oil with each daily treatment, consistently giving you a superior quality end product. The efficiency of a filter press is combined with adsorbent powders to produce clear, high quality, reusable cooking oil, and reduce the free fatty acids (FFA) and polar compounds.

You may never throw away hot oil again!

Star Filters offers a total system concept in hot oil management:

- Leading filtration technology
- Customer engineered equipment to meet your application
- Expert technical knowledge and application advice
- Lowest long-term operation cost of any comparable system

The cost reduction that results from the system is twofold. The initial savings on new oil purchases is substantial; but when combined with the reduction of increasing disposal costs of used oil, the system pays for itself in a short period of time.



The Hilliard Corporation
 100 West Fourth Street
 Elmira, New York 14902-1504
 Phone: 607-733-7121
 Fax: 607-733-7463
<http://www.starfilters.com>

Your Local Representative: