



# MECHANICAL DISC BRAKES

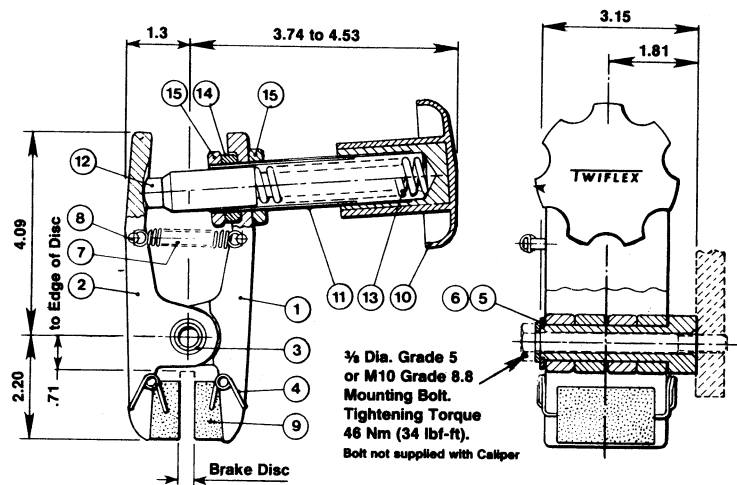
TECHNICAL DATA AND DIMENSIONS  
USE ONLY CERTIFIED PRINTS FOR INSTALLATION

Data Bulletin TMC-1

## MODEL MUH MECHANICAL CALIPER

### Data:

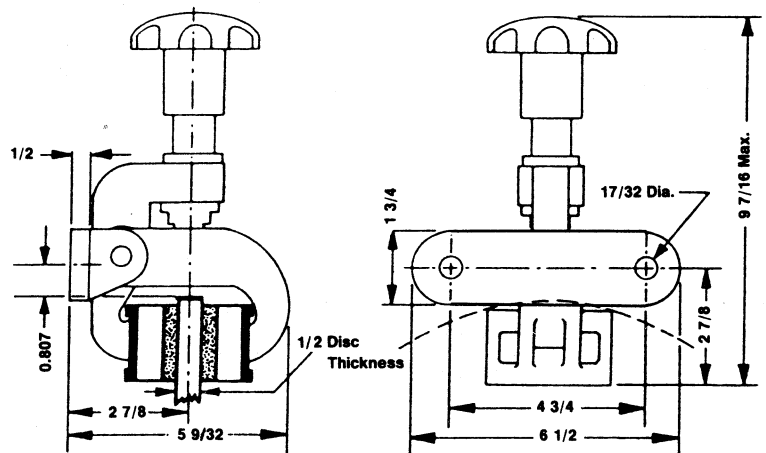
Type of Actuation — Hand Knob  
Torque Rating in lb. ft. @ Max.  
Knob Force (Radius in inches) —  $10 \times$  (Disc Radius — .8")  
Min. Disc Dia. (in.) — 6"  
Disc Thickness (in.) — 1/8 - 5/16  
Total Lining Area — 4.65 in.<sup>2</sup> (Asbestos Free Material)  
Wt. — 3 lbs.  
Model MUH Part No. — 6780925  
Hand Knob Assembly Part No. — 7800173



## MODEL MSH MECHANICAL CALIPER

### Data:

Type of Actuation — Hand Knob  
Torque Rating in lb. ft. @ Max.  
Knob Force (Radius in inches) —  $16 \times$  (Disc Radius — .15")  
Min. Disc Dia. (in.) — 10"  
Disc Thickness (in.) — 1/2"  
1 Turn of Hand Wheel = 35 lb. force approx.  
Total Lining Area — 9 in.<sup>2</sup> (Asbestos Free Material)  
Wt. — 5 lbs.  
Model MSH Part No. — 6780245  
Hand Knob Assembly Part No. — 7800127



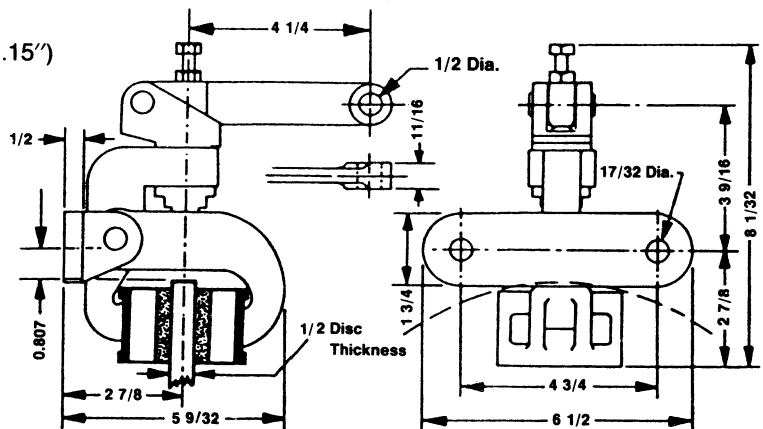
## MODEL MSF MECHANICAL CALIPER

### Data:

Type of Actuation — Lever\*  
Torque Rating in lb. ft. @ Max.  
Lever Force (Radius in inches) —  $33 \times$  (Disc Radius — 1.15")  
Min. Disc Dia. (in.) — 10"  
Disc Thickness (in.) — 1/2"  
Max. Lever Force — 220 lbs.  
Total Lining Area — 9 in.<sup>2</sup> (Asbestos Free Material)  
Wt. — 5 lbs.  
Model MSF Part No. — 6780248  
Lever Assembly Part No. — 7800128

\* Lever can be assembled in any axial position on caliper.

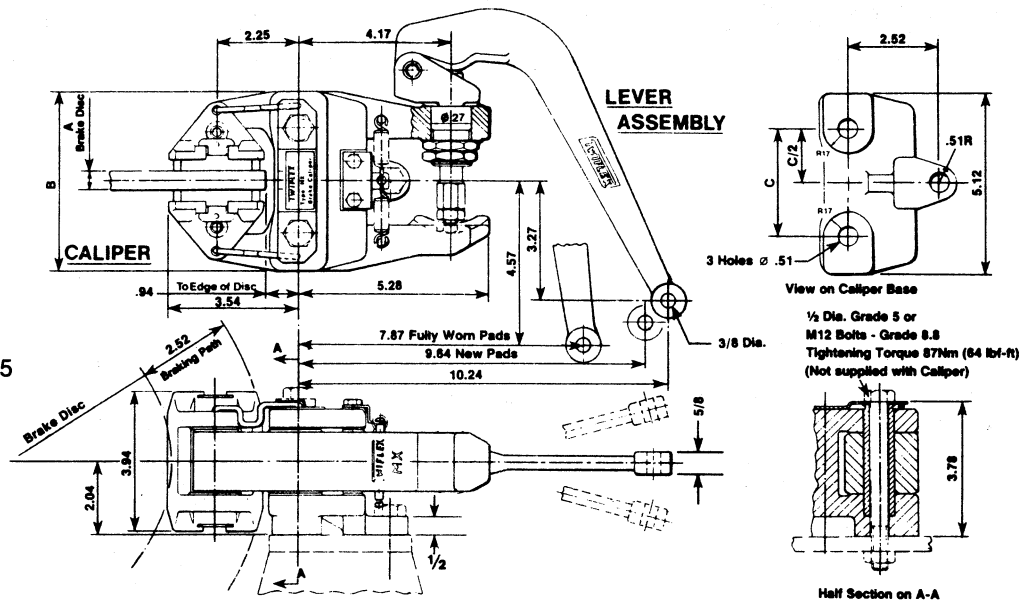
Model MSF-M — Special heavy duty marine version caliper.  
Ref: Dwg. No. A11132. Part No. - 6780512  
Torque Rating =  $54 \times$  (Disc Radius — 1.15")  
= lb. ft.



## MODEL MX13H & MX25H MECHANICAL CALIPER

### Data:

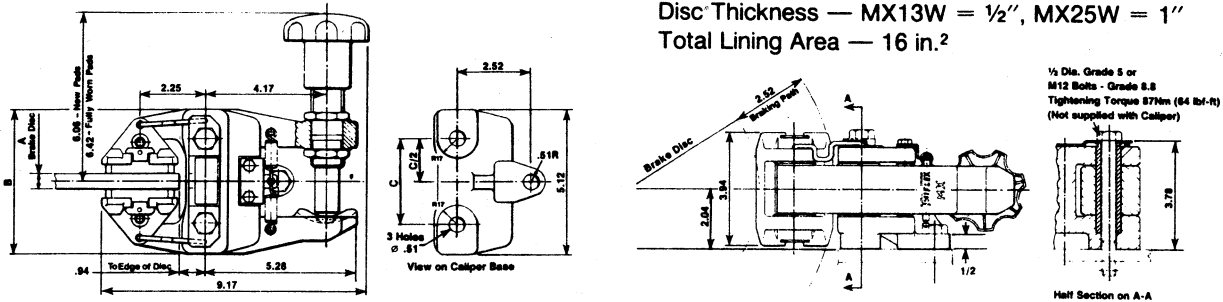
Type of Actuation — Lever  
 Min. Disc Dia. — 12"  
 Disc Thickness — MX13H = 1/2"  
                           MX25H = 1"  
 Total Lining Area — 16 in.<sup>2</sup>  
 (Asbestos Free Material)  
 Max. Lever Force — 200 lbs.  
 Max. Braking Force — 1960 lbs.  
 Lever Ratio — 12:1  
 Lever Assembly Part No. — 7800125



Caliper Model	A	B	C	Torque Rating - lb. ft. @ Max. Lever Force (Radius in Inches)	Caliper w/Lever Part Number	Caliper Wt. - lbs.
MX13H	1/2	5.12	2.952	163 x (Disc Radius — 1.3")	6780729	18.4
MX25H	1	5.28	3.306	163 x (Disc Radius — 1.3")	6780737	18.4

## MODEL MX13W & MX25W MECHANICAL CALIPER

Data: Type of Actuation — Hand Knob (Assembly is P/N 7800126)  
 Min. Disc Dia. — 12"  
 Disc Thickness — MX13W = 1/2", MX25W = 1"  
 Total Lining Area — 16 in.<sup>2</sup>



Caliper Model	A	B	C	Max. Braking Force lbs.	Max. Knob Force lbs.	Torque Rating - lb. ft. @ Max. Knob Force (Radius in Inches)	Caliper w/Knob Part Number	Caliper Wt. - lbs.
MX13W	1/2	5.12	2.952	600	405	50 x (Disc Radius — 1.3")	6780730	16.6
MX25W	1	5.28	3.306	600	405	50 x (Disc Radius — 1.3")	6780738	16.6

## MODEL LD MECHANICAL CALIPER

Data:  
 Type of Actuation — Lever (Weight Operated)  
 Min. Disc Dia. — 10"  
 Disc Thickness — 1/2"  
 Max. Lever Torque — 60 lb. ft.  
 Max Braking Force  
 @ Max. Lever Torque — 2760 lbs.  
 Torque Rating @ Max. Lever  
 Torque — 230 x (Disc Radius — 1.06")  
 Caliper Wt. — 7 1/2 lbs.  
 Model LD Part No. — 6780527  
 Maritized Version Available

