

Overload Release Clutches



The Hilliard Corporation's family of overload release clutches are available in pneumatically operated or mechanically actuated models. Both provide reliable torque control to ensure equipment protection and precise indexing.



Pneumatic

Ball Detent Clutch



Mechanical

Benefits

- Bi-directional operation
- Single-position indexing
- Precise disconnects

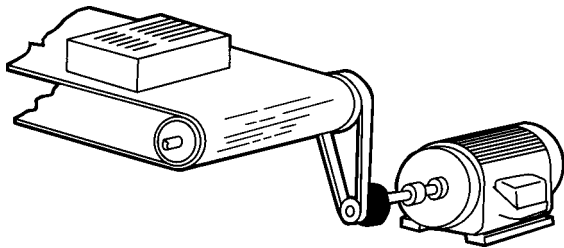
Jaw Type Overload Release Clutch

The Hilliard jaw type overload release clutch protects driven machinery from dangerous overloads that may bend or twist shafts or damage other components. One advantage of this design is that the clutch completely disconnects the driver from the driven machinery in an overload situation. The clutch's special jaw patterns will allow the clutch to engage in only one position. This design features an adjustable torque range of 100 to 2,000 Lb-Ft (150 to 3,000 Nm).



Specifications/Size Range for Ball Detent Clutches

	Size	Torque		Bore		O.D.	
		Lb-In	Nm	in.	mm	in.	mm
Smallest	2	1,800	2,440	3/4	19.05	4-1/4	108
	3	1,500	2,030	1-1/8	28.58	4-3/4	121
Largest	4	3,000	4,065	1-3/8	34.93	6	152

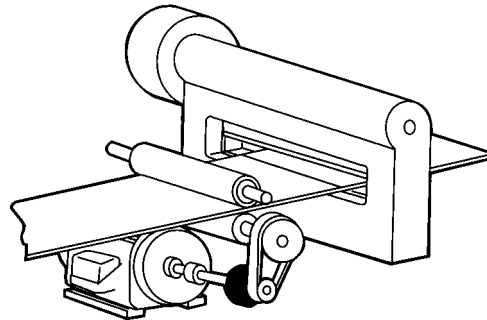


Conveyors

A Hilliard overload release clutch is mounted on the output shaft of a motor used to drive a conveyor belt. If the conveyor jams, the clutch will release until the problem is corrected, thus protecting the motor and other components of the drive assembly.

Other Applications

Paper and Packaging Equipment
 Printing Equipment
 Material Handling Equipment
 Food Processing Equipment



Automatic Cutters

A Hilliard overload release clutch incorporated into the drive of an automatic lamination cutter protects the motor whenever the feed rolls are jammed or stopped.

The Hilliard Corporation reserves the right to change specifications and dimensions at any time.
 Please contact the factory for the most current information.

The Hilliard Corporation

100 West Fourth Street
 Elmira, New York 14902-1504
 Phone: 607-733-7121
 Fax: 607-732-8979
<http://www.hilliardcorp.com>
 Email: hilliard@hilliardcorp.com

Your Local Representative:

