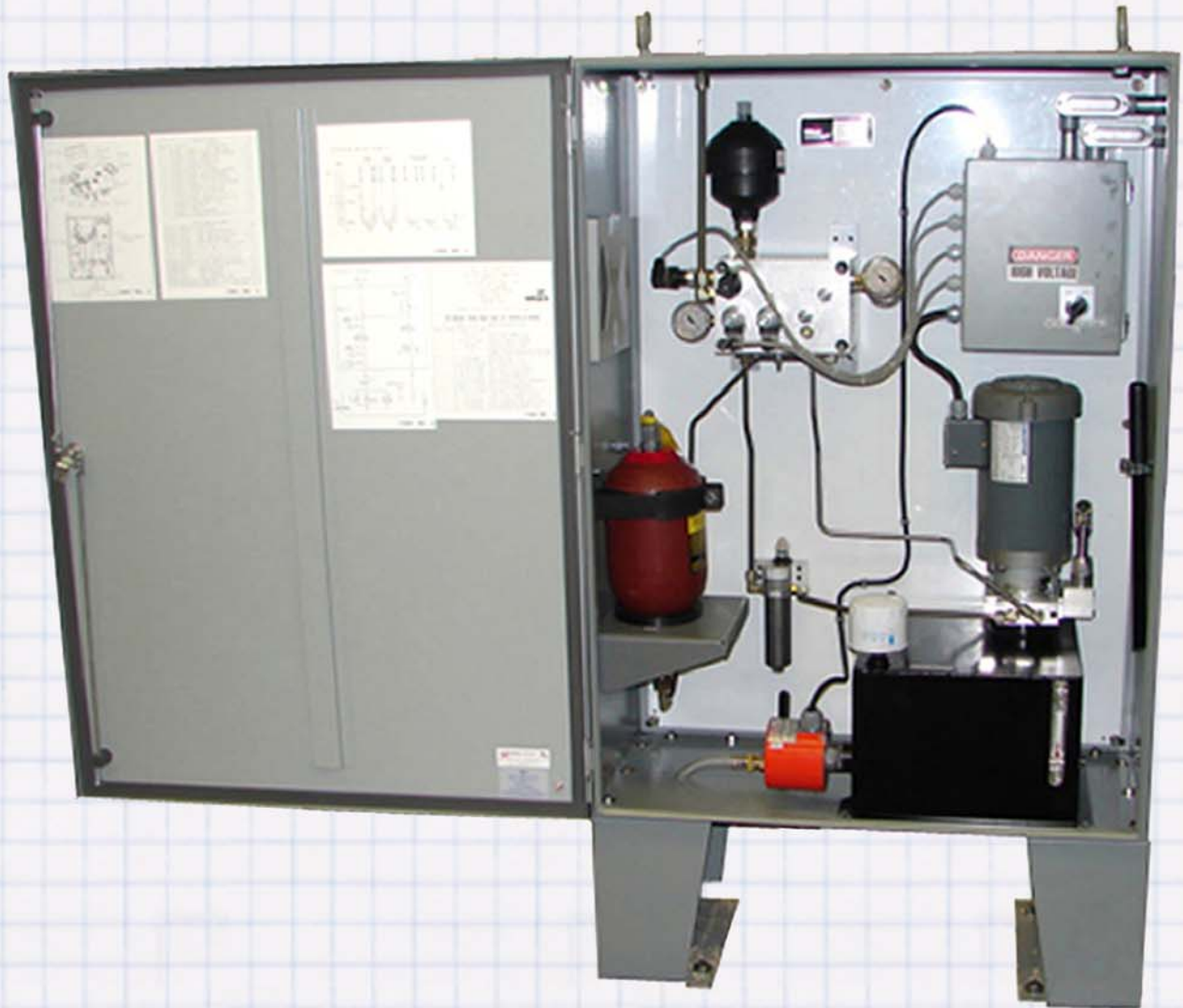
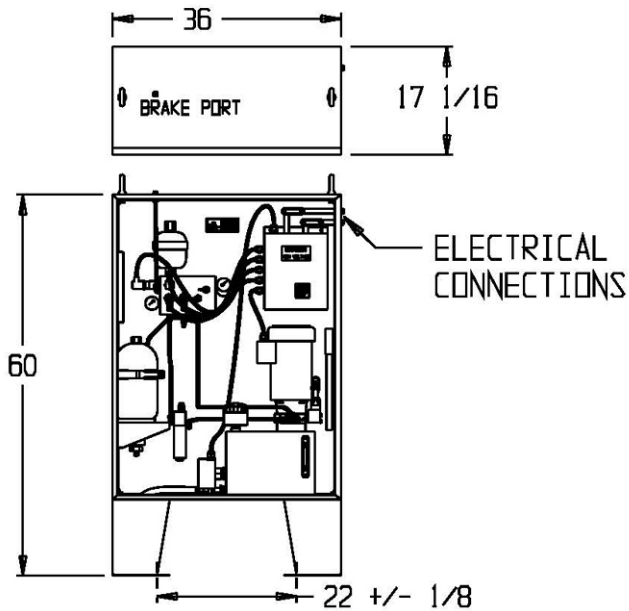




Model HPU-E2 Hydraulic Power Unit



- Designed to operate a wide range of Hilliard/Twiflex brake systems.
- Fully enclosed for use in harsh environmental conditions.
- Constructed from high quality, locally available components.
- Two standard braking modes -- fully field adjustable.

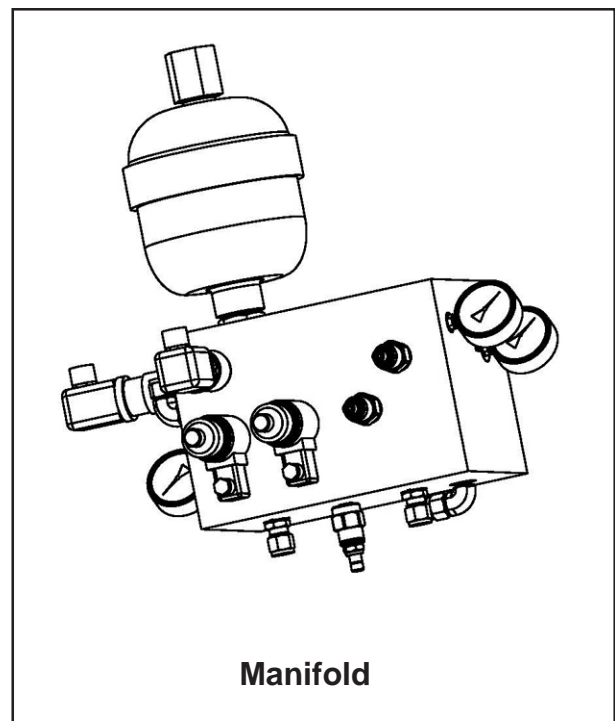


The Hilliard Model HPU-E2 Electrohydraulic Power Unit is designed to operate a wide range of Hilliard/ Twiflex Brake Systems in demanding applications such as mining, material handling, and steel. The HPU-E2 is fully enclosed in a NEMA 4 cabinet which makes the unit ideally suited for use in extremely harsh environments. Hilliard's design utilizes high-quality components including near-zero leak rate, cartridge-style poppet valves with manual overrides. Solenoid coil plugs include LED indicators for troubleshooting purposes. A pressure filter is included with a pop-up style clogging indicator to ensure trouble-free operation. Optional pressure transducers can be supplied to provide pressure monitoring to a PLC.

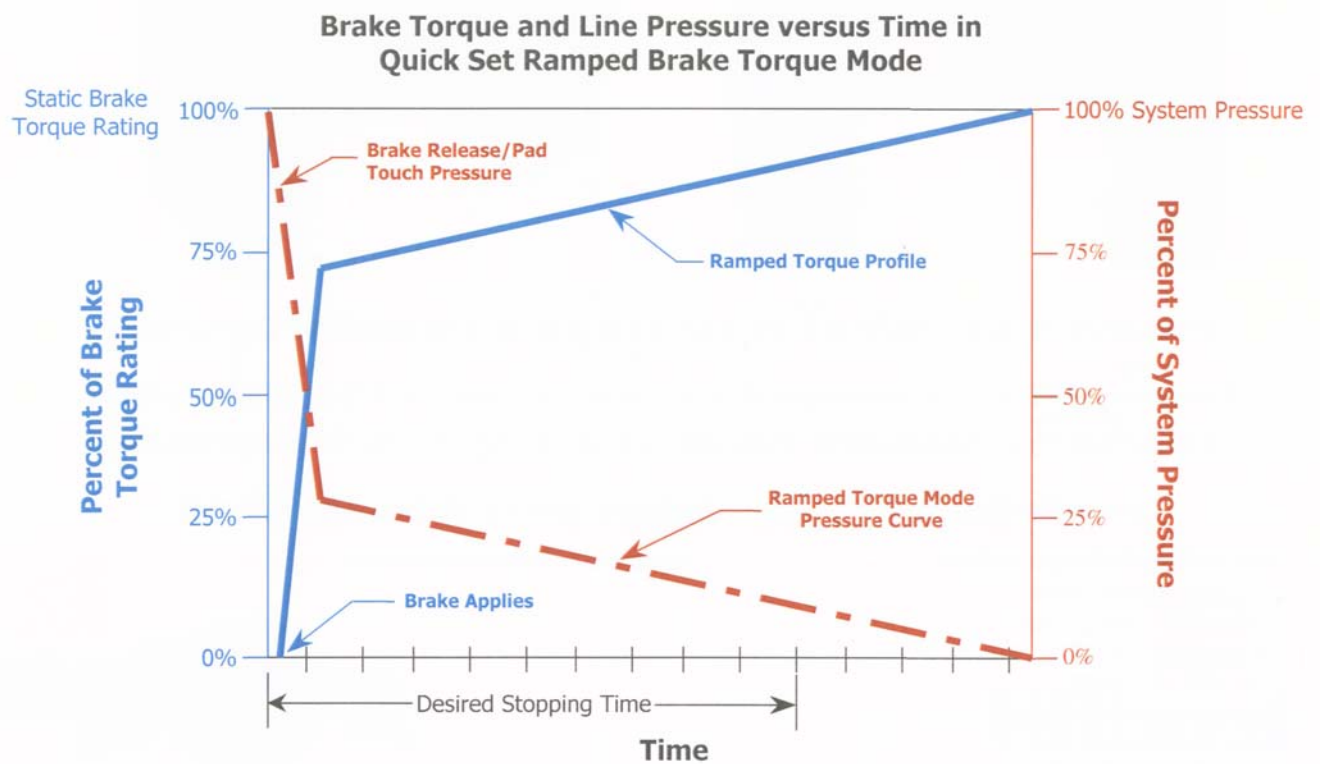
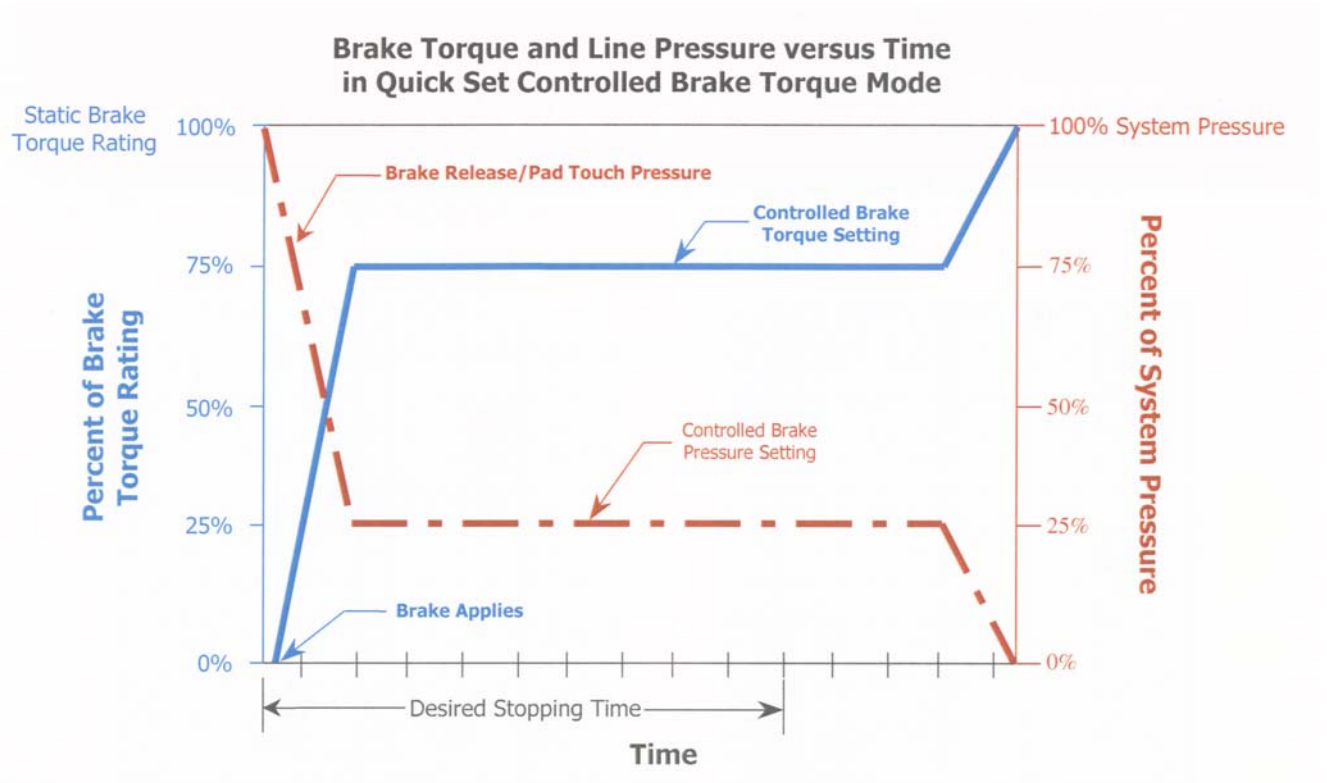
The HPU-E2 can be operated in either Quick Set Controlled Braking Torque mode or Quick Set Ramped Braking Torque mode, providing fast reaction time and smooth braking to prevent unwanted shock loads on machinery. These braking modes (refer to graphs on page three), are fully adjustable.

Standard Features

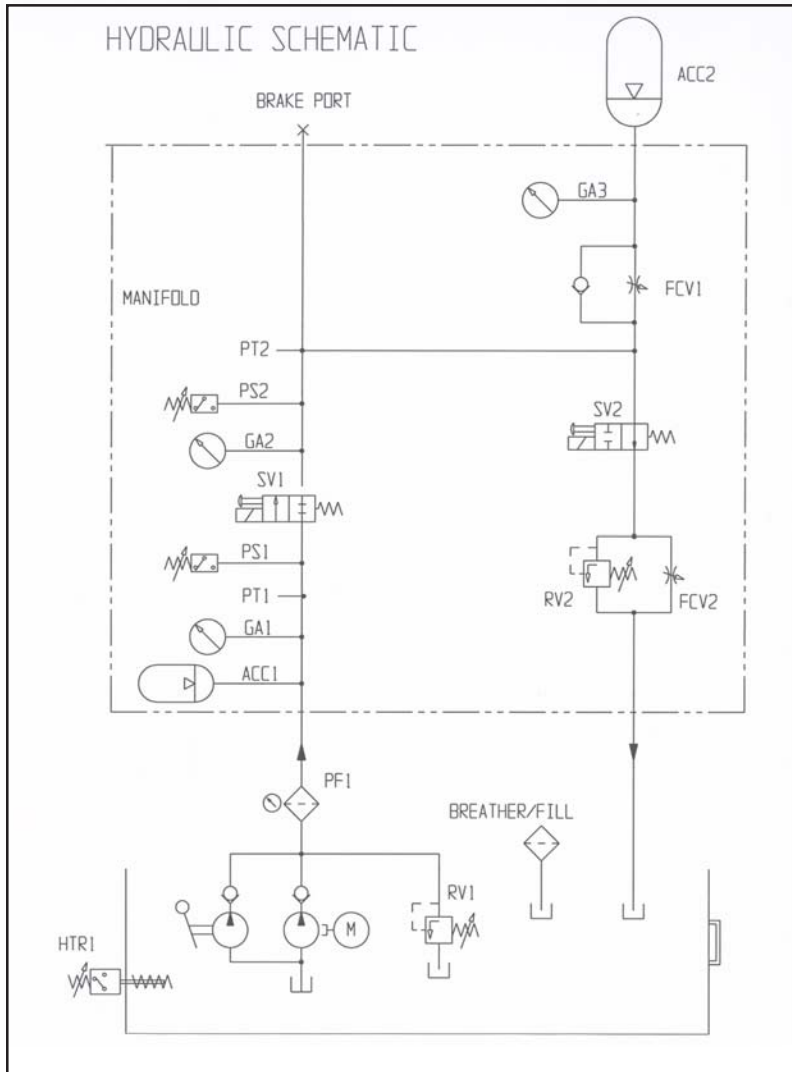
- Base hydraulic power unit with 6-gallon reservoir
- Oil level/temperature gauge
- 2 HP electric motor, 1750 rpm, 230/460/3
- 1.4 GPM pump with integral relief valve
- Standard 115 VAC solenoid coils ($\pm 15\%$)
- Single-acting hand pump integral to the pump base for manual release
- 0.5 kw immersion heater with thermostat control
- 45 in³ system accumulator
- High-efficiency pressure filter with pop-up style clogging indicator
- NEMA 4 enclosure
- 1.5-gallon brake control accumulator



Standard Braking Modes



Standard Hydraulic Schematic



Custom manifold designs are available.



The Hilliard Corporation reserves the right to change specifications and dimensions at any time. Please contact the factory for the most current information.

The Hilliard Corporation
 100 West Fourth Street
 Elmira, New York 14902-1504
 Phone: 607-733-7121
 Fax: 607-732-8979
 Email: hilliard@hilliardcorp.com
 www.hilliardcorp.com

Your Local Representative:

