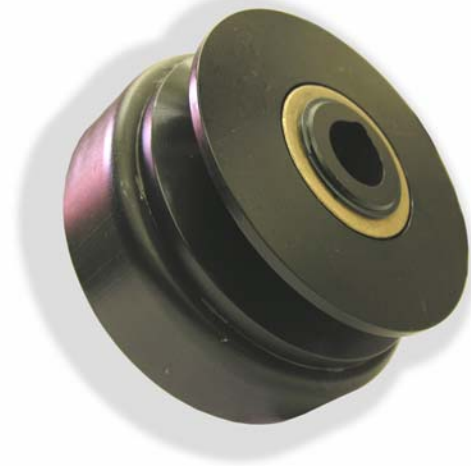


# Extreme-Duty Pulley Centrifugal Clutch



Hilliard's newest centrifugal clutch (U.S. Patent 6,857,515 B2) has been engineered to provide long service life even in the most demanding applications. Ideal for retrofit or new equipment applications, this clutch was designed to be a low-cost upgrade to the current low-priced centrifugal market.

Our centrifugal clutches are ideal for the everyday demands of chipper shredders, power trowels, concrete mixers, power screeds, air compressors, and lawn and garden equipment. A thermodynamically designed clutch shoe increases the clutch's capacity to absorb heat without damaging the clutch.



## Advantages

- Sintered metal clutch shoes
- Integral key design
- Integral sheave
- Easy-to-change springs

Common applications for the extreme-duty pulley centrifugal clutch include:

- Power trowels
- Concrete mixers
- Power screeds
- Air compressors
- Wood chippers
- Portable saw mills
- Post-hole diggers

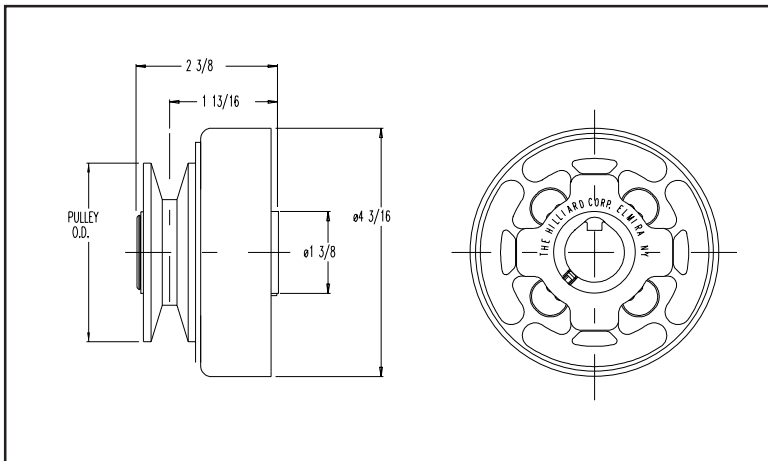
## Benefits

- Bi-directional operation
- Soft starts
- Load-free starting
- Overload protection
- Optional engaging speeds
- Excellent quality at a competitive price
- Easy to install
- Longer life than competitive clutches

## A complete line of precise and durable motion control solutions

Extreme-Duty Centrifugal Clutch	Model #	Bore Size	Keyway (inches)	Pulley Diameter (O.D.)	Belt Groove	Engaging Speed *	Drum Type
4" Single-Groove	LD4P-46	1"	1/4	3.7	AB	1800	stamped steel
	LD4P-59	25mm	1/4	3.7	AB	1800	stamped steel
	LD4P-48	7/8"	3/16	3.7	AB	1800	stamped steel
	LD4P-49	3/4"	3/16	3.7	AB	1800	stamped steel
	LD4P-57	5/8"	3/16	3.7	AB	1800	stamped steel
	LD4P-50	1"	1/4	3.0	AB	1800	stamped steel
	LD4P-58	25mm	1/4	3.0	AB	1800	stamped steel
	LD4P-52	7/8"	3/16	3.0	AB	1800	stamped steel
	LD4P-53	3/4"	3/16	3.0	AB	1800	stamped steel
	LD4P-56	5/8"	3/16	3.0	AB	1800	stamped steel

\* Standard; optional engagement speeds available.



**4" Single-Groove Version**



Hilliard also has available an extreme-duty centrifugal clutch in a sprocket version designed for use in go-karts. For more information, request literature bulletin LLT-5.

*The Hilliard Corporation reserves the right to change specifications and dimensions at any time. Please contact the factory for the most current information.*

**The Hilliard Corporation**  
 100 West Fourth Street  
 Elmira, New York 14902-1504  
 Phone: 607-733-7121  
 Fax: 607-732-8979  
 Email: [hilliard@hilliardcorp.com](mailto:hilliard@hilliardcorp.com)  
<http://www.hilliardextremeduty.com>

**Your Local Representative:**

